

**BODY SECTION**

This service manual has been prepared to provide SUBARU service personnel with the necessary information and data for the correct maintenance and repair of SUBARU vehicles.

This manual includes the procedures for maintenance, disassembling, reassembling, inspection and adjustment of components and diagnostics for guidance of experienced mechanics.

Please peruse and utilize this manual fully to ensure complete repair work for satisfying our customers by keeping their vehicle in optimum condition. When replacement of parts during repair work is needed, be sure to use SUBARU genuine parts.

All information, illustration and specifications contained in this manual are based on the latest product information available at the time of publication approval.

**HVAC SYSTEM  
(HEATER, VENTILATOR AND A/C)** AC

**HVAC SYSTEM (AUTO A/C)  
(DIAGNOSTICS)** AC

**AIRBAG SYSTEM** AB

**AIRBAG SYSTEM (DIAGNOSTICS)** AB

**SEAT BELT SYSTEM** SB

**LIGHTING SYSTEM** LI

**WIPER AND WASHER SYSTEMS** WW

**ENTERTAINMENT** ET

**COMMUNICATION SYSTEM** COM

**GLASS/WINDOWS/MIRRORS** GW

**BODY STRUCTURE** BS

**INSTRUMENTATION/DRIVER INFO** IDI

**SEATS** SE

**SECURITY AND LOCKS** SL

**IMMOBILIZER (DIAGNOSTICS)** IM

**SUNROOF/T-TOP/CONVERTIBLE TOP  
(SUNROOF)** SR

**EXTERIOR/INTERIOR TRIM** EI

**BODY SECTION**

**EXTERIOR BODY PANELS**

**EB**

**CRUISE CONTROL SYSTEM**

**CC**

**CRUISE CONTROL SYSTEM  
(DIAGNOSTICS)**

**CC**

# COMMUNICATION SYSTEM

# COM

---

	<b>Page</b>
1. General Description .....	2
2. Horn System .....	3
3. Horn .....	5
4. Horn Switch.....	6

# GENERAL DESCRIPTION

COMMUNICATION SYSTEM

---

## 1. General Description

### A: PREPARATION TOOL

#### 1. GENERAL TOOLS

TOOL NAME	REMARKS
Circuit Tester	Used for measuring resistance and voltage.

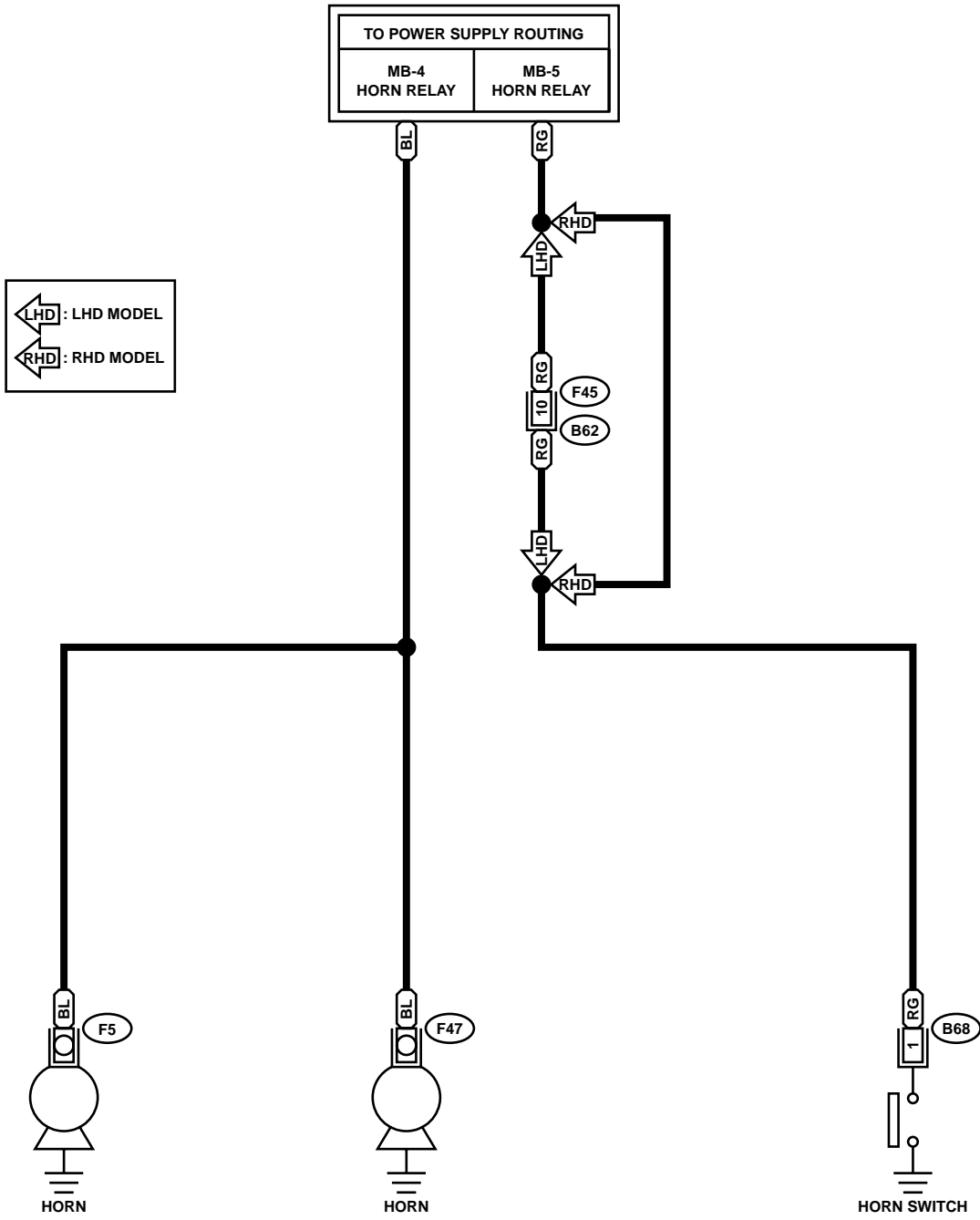
## 2. Horn System

### A: SCHEMATIC

#### 1. HORN

HORN-01

HORN-01



(B68) (BLACK)

(F45)

1	2
3	4

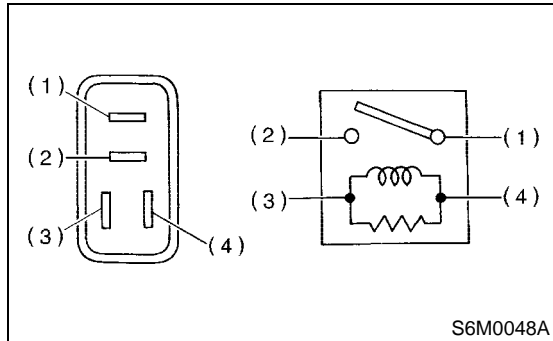
1	2	3	4	5	6	7	8	9	10	11		
12	13	14	15	16	17	18	19	20	21	22	23	24

### B: INSPECTION

#### 1. HORN RELAY

Check continuity between terminals (indicated in table below) when terminal No. 4 is connected to battery and terminal No. 3 is grounded.

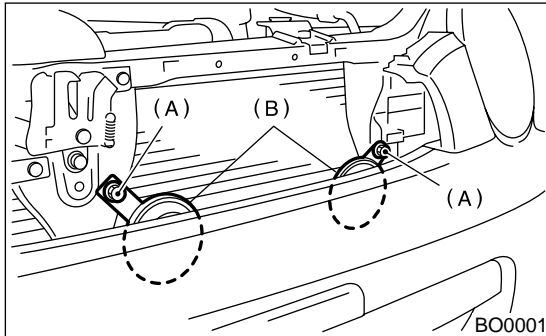
When current flows.	Between terminals No. 1 and No. 2	Continuity exists.
When current does not flow.	Between terminals No. 1 and No. 2	Continuity does not exist.
	Between terminals No. 3 and No. 4	Continuity exists.



### 3. Horn

#### A: REMOVAL

- 1) Remove horn bracket mounting bolt (A).
- 2) Disconnect harness connector and remove horn assembly (B).

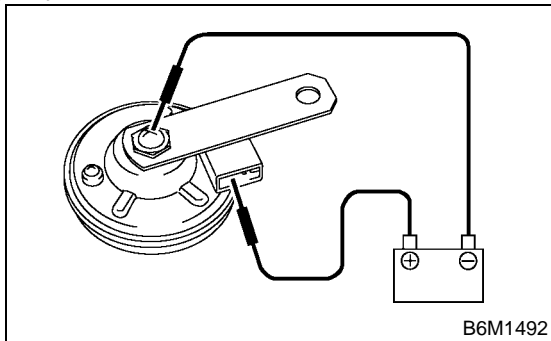


#### B: INSTALLATION

Install in the reverse order of removal.

#### C: INSPECTION

With 12 V direct current supply between horn terminal and case ground, check that the horn sounds properly.



# HORN SWITCH

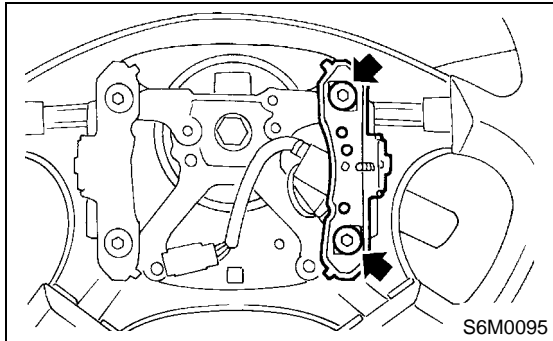
## 4. Horn Switch

### A: REMOVAL

#### WARNING:

Before servicing, be sure to read the notes in the AB section for proper handling of the driver airbag module. <Ref. to AB-3, CAUTION, General Description.>

- 1) Remove the driver's airbag module. <Ref. to AB-12, Driver's Airbag Module.>
- 2) Remove horn switch from steering wheel as shown.

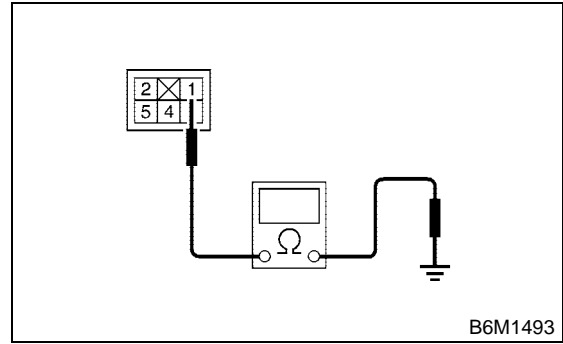


### B: INSTALLATION

Install in the reverse order of removal.

### C: INSPECTION

Check continuity between terminals.



Switch position	Tester connection	Specified condition
When horn switch is pushed.	1—Body ground	Continuity
When horn switch is not pushed.		No continuity